

AFD20 SERIES

DISMANTLING JOINTS

DN100-DN1400



AVFI's AFD20 dismantling joints are fittings that provide easy installation and disassembly of flanged pipe and associated equipment including valves, meters and pumps. The AFD20 are widely used for a variety of industries.

ADVANTAGES

- ▷ AS/NZS 4020 approved FBE coating.
- ▷ Ductile iron body.
- ▷ 316 Teflon® coated stainless steel tie rods.
- ▷ Longitudinal ± 25 mm adjustment for sizes up to 600mm.
- ▷ Longitudinal ± 30 mm adjustment for sizes above 700mm.

OPTIONS

- ▷ NBR seal
- ▷ Wide selection of fastener materials and finishes:
 - Galvanised fasteners 4.8 or 8.8
 - 304 stainless steel
 - Dacromet® coating on fasteners
 - Can be supplied with additional tie rods to fully constrain
- ▷ Flange drilling connections to suit a wide range of flanging standards:
 - AS2129 T/ E
 - ANSI 150 - Drilling Only
 - EN 1092
- ▷ PN25 pressure rating



TECHNICAL DATA

Size Range	DN100 - DN1400 - Large sizes available on request
Pressure Class	PN16
Coating	AS/NZS 4020 Approved, Fusion Bonded Epoxy
Temperature Range	-10°C to 80°C
Flange Drilling Connection	AS4087 CL16

AFD20 SERIES

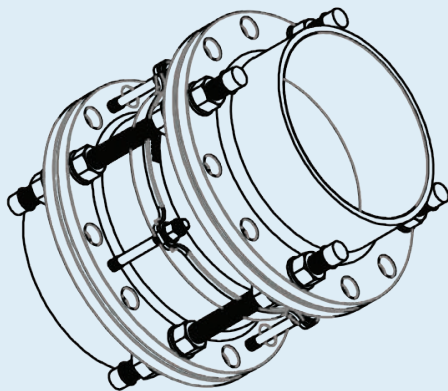
DISMANTLING JOINTS

The operating principle behind the AFD20 is that the centre sealing flange is drawn closer to the mating flange, thereby compressing the rubber sealing ring to achieve a complete seal. So simple, yet so efficient and practical.

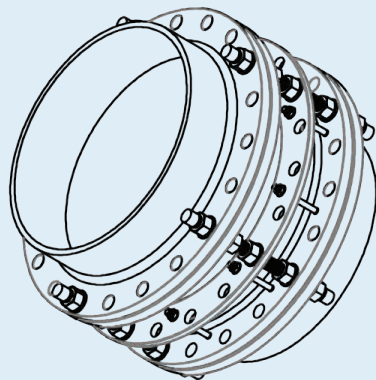
The AFD20 features an end to end tie rod and a separate tie rod for the sealing flange. It is recommended to check with your local authority too confirm that the AFD20 series is permitted for your application.

TYPICAL APPLICATIONS

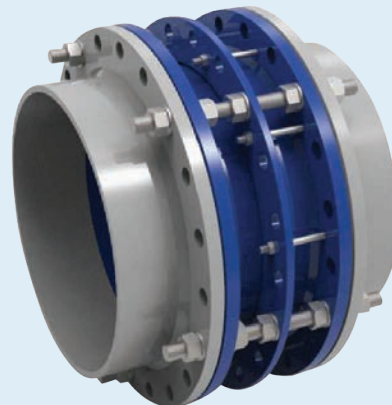
- ▶ The dismantling joints are designed to simplify the installation, maintenance and removal of:
 - Isolation valves
 - Non-return valves
 - Control valves
 - Metering & associated equipment
 - Pumps & associated equipment
 - ▶ The dismantling joints are used in many areas, including:
 - Pumping stations
 - Water treatment plants
 - Sewage treatment plants
 - Industrial pipelines
- ▶ The dismantling joints is supplied with fewer tie rods for easy and fast installation while still offering a secure and rigid dismantling joint.



DN100 - DN600



DN700 - DN1400



AFD20 SERIES

DISMANTLING JOINTS

MATERIAL SPECIFICATIONS & PARTS LIST

NO.	DESCRIPTION	MATERIAL
1	Short Flanged Body	Ductile Iron
2	Seal Ring	EPDM (AS1646 Approved)
3	End Ring	Ductile Iron
4	Long Flanged Body	Ductile Iron
5	Stud - Short	SS316 with Teflon Coating
6	Stud - Long	SS316 with Teflon Coating
7	Washer	SS316
8	Nut	SS316

NOMINAL PRESSURE		PN16
Test	Strength Test	24 Bar
Pressure	Strength Test	17.6 Bar

DIMENSIONAL DRAWING

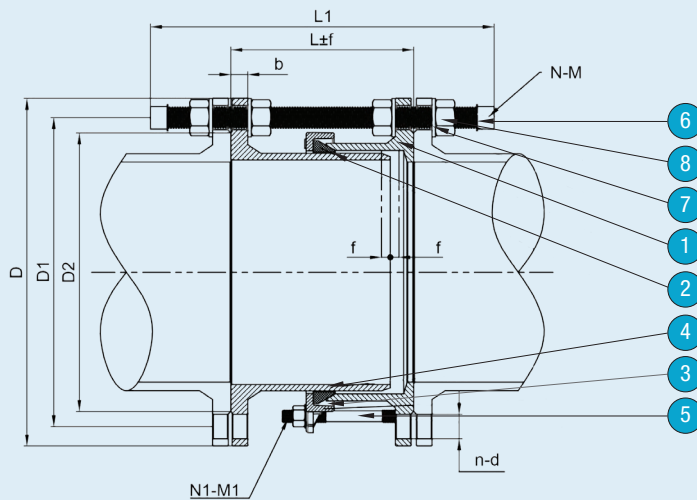


Figure 5. Restrained AFD20 Dismantling Joint

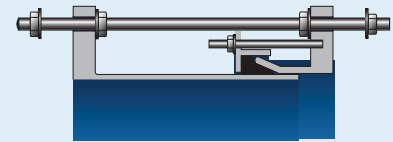
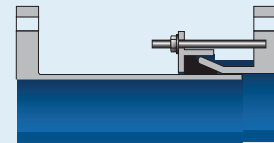


Figure 6. Unrestrained AFD20 Dismantling Joint



DIMENSIONS (MM)

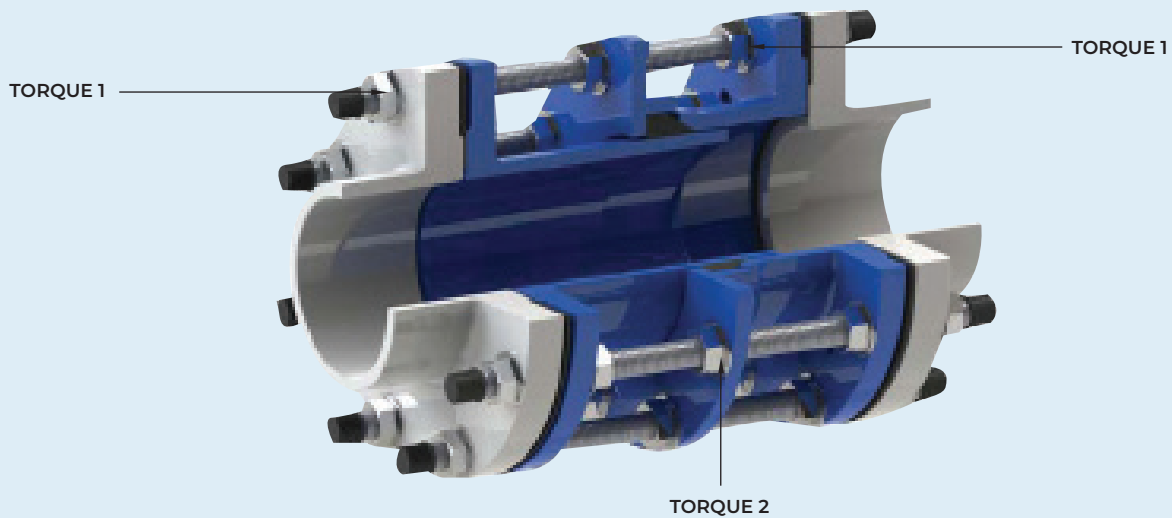
DN	ID	OD	LENGTH		ADJUSTMENT	AS4087 PN16				b	BOLT/NUT			
			L	L1		D	D1	D2	n-d		M	N	M1	N1
100	101	118	195	340	+25	215	178	154	4-19	19	M16	4	M12*140	4
125	125	144	200	340	+25	255	210	186	8-19	19	M16	4	M12*140	4
150	154	170	200	350	+25	280	235	211	8-19	19	M16	4	M12*140	4
200	206	222	210	350	+25	335	292	268	8-19	20	M16	4	M12*140	4
225	230	248	220	380	+25	370	324	300	8-19	20	M16	4	M12*140	4
250	258	274	220	380	+25	405	356	328	8-23	22	M20	4	M14*140	4
300	307	326	230	400	+25	455	406	378	12-23	24.5	M20	4	M12*140	6
350	359	378	240	410	+25	525	470	438	12-27	26.5	M24	4	M16*170	6
375	400	406	250	430	+25	550	495	463	12-27	28	M24	4	M16*170	6
400	408	429	250	430	+25	580	521	489	12-27	28	M24	4	M16*170	6
450	456	480	265	450	+25	640	584	552	12-27	30	M24	4	M16*170	6
500	508	532	275	460	+25	705	641	609	16-27	32	M24	4	M16*170	8
600	613	635	290	500	+25	825	756	720	16-31	36	M27	4	M16*170	8
700	711	738	295	510	+30	910	845	606	20-31	39.5	M27	5	M16*180	10
750	750	813	320	530	+30	995	927	888	20-34	41	M30	5	M16*180	10
800	817	842	320	560	+30	1060	984	942	20-37	43	M33	5	M16*180	10
900	911	945	320	580	+30	1175	1092	1050	24-37	47	M33	6	M16*180	12
1000	1012	1048	325	600	+30	1255	1175	1133	24-37	50	M33	6	M16*180	12
1200	1216	1255	340	640	+30	1490	1410	1368	32-37	57	M33	8	M16*180	16
1400	1420	1462	340	640	+30	1680	1615	1573	36-37	50	M33	9	M16*180	18

AFD20 SERIES

DISMANTLING JOINTS

AFD20 Recommended Bolt Tighten Torque for AS4087 CL16 (N.M)

SIZE	BOLT SIZE	BOLT NO.	TORQUE 1	LOCKING BOLT SIZE	LOCKING BOLT NO.	TORQUE 2 (SEALING)
DN100	M16	4	100	M12	4	60
DN150	M16	4	100	M12	4	60
DN200	M16	4	100	M12	4	60
DN225	M16	4	100	M14	4	80
DN250	M20	4	180	M14	4	80
DN300	M20	4	180	M12	6	60
DN350	M24	4	320	M16	6	100
DN375	M24	4	320	M16	6	100
DN400	M24	4	320	M16	6	100
DN450	M24	4	320	M16	6	100
DN500	M24	4	320	M16	8	100
DN600	M27	4	440	M16	8	100
DN700	M27	5	440	M16	10	100
DN800	M33	5	735	M16	10	100
DN900	M33	6	735	M16	12	100
DN1000	M33	6	735	M16	12	100
DN1200	M33	8	735	M16	16	100
DN1400	M33	9	800	M16	18	100



ORDERING CHART

MODEL	SIZE	BOLTS	RESTRAINED	ATTACHMENT
AFD20	-100	316	R - Restrained	T/D - Table D
	-125	304	U - Unrestrained	T/E - Table E
	-150	GAL		ANSI 150*
	-200			

EXAMPLE	
	AFD20 100mm 316 Bolts Restrained Table E
	AFD20-100-316-R-T/E

* ANSI 150 Drilling only. PN rating as per standard valve.