

# V1 SERIES

1 PIECE REDUCED BORE BSP LEVER OPERATED  
316 STAINLESS STEEL BALL VALVE



## ADVANTAGES

- ▷ SS316 body, cap & ball.
- ▷ Reduced bore.
- ▷ Threaded BSPP.
- ▷ Internal entry blow-out proof stem.
- ▷ Lever handle with locking device.



## TECHNICAL DATA

Size Range	DN8 - DN50 (1/4" - 2")
Pressure Rating	1000 PSI W.O.G
Pressure Test	API598

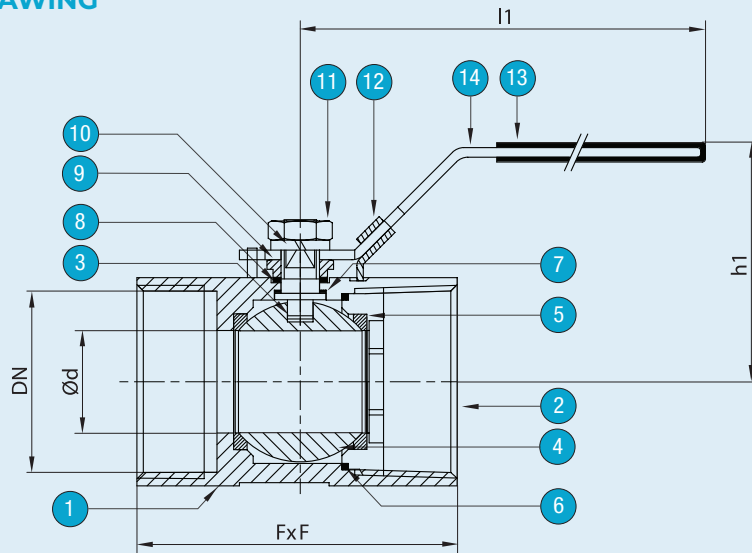
# V1 SERIES

## BALL VALVE

### MATERIAL SPECIFICATIONS & PARTS LIST

NO.	DESCRIPTION	MATERIAL
1	Body	CF8M
2	Cap	CF8M
3	Stem	SS316
4	Ball	CF8M
5	Seat	PTFE
6	Joint Gasket	PTFE
7	Thrust Washer	PTFE
8	Stem Packing	PTFE
9	Washer	SS304
10	Spring Washer	SS304
11	Stem Nut	SS304
12	Locking Device	SS304
13	Handle	SS304
14	Handle Sleeve	Plastic

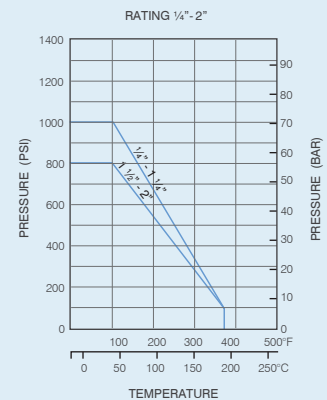
### DIMENSIONAL DRAWING



### DIMENSIONS (MM)

V1 DN8 - DN50								
DN	NPS	FxF	Ød	h1	l1	CV Factor	Torque (N.m)	Weight (kg)
8	1/4"	40	5	33	67	4	13.83	0.6
10	3/8"	44	7	27	77	4	67	0.10
15	1/2"	55.8	9	37	93	4.5	93	0.16
20	3/4"	59	12.5	41	94	9	20.75	0.26
25	1"	69	16	44	112	16	41.49	0.38
32	1 1/4"	78	20	60	103	24	62.24	0.61
40	1 1/2"	82.5	25	55	138	37	82.98	0.85
50	2"	100	32	90	125	68	96.81	1.40

### PRESSURE RATINGS



54 Enterprise Drive, Bundoora, VIC, 3083  
 p. 1300 789 256 | e. sales@avfi.com.au  
 avfi.com.au

Designs, material and specifications shown are subject to change without notice due to our continuing program of product development.

All content is protected by Copyright and is owned and/or licensed by AVFI Pty Ltd. Copyright © AVFI Pty Ltd

